

# BTE 1000 CL OPERATING MANUAL AND TECHNICAL SPECIFICATIONS

## OPERATING INSTRUCTIONS

Main LED and backup LED On / Off Switch: Indicated with a lamp icon

- Depress switch once for Main LED
- Depress switch again for backup LEDs
- Depress switch a third time to turn off.

Status Indicator: Indicated by clock icon

- Depress once for unit number
- Depress again for current time (24 hour clock)
- Depress a third time for battery charge status. 4 bars = full charge, 1 bar blinking every 20 sec = charge required. (~1 hr remaining)
- Depress fourth time to turn off. Indicator will turn off automatically after not being used for 20 seconds.

Setting the Clock:

- Depress and hold clock button for 3 seconds. When hour indicator is blinking, press lamp button until desired hour is reached. Press clock button again and minute indicator will blink. Press lamp button to set first minute digit. Pressing the clock button will move the blinking indicator to the second minute digit, where you can push the clock button to set the second digit. Press lamp button one last time to confirm and finish clock setting.

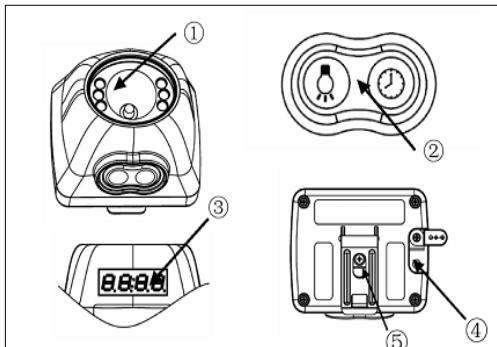
Setting the Unit Number:

- Depress clock button once to show unit number. Default is 4 zeros.
- Depress and hold clock button for 3 seconds, the zeros will blink.
- Use the lamp button as you would to set the clock.

**NOTE: YOU WILL ONLY BE ABLE TO DO THIS ONCE FOR LAMP SECURITY REASONS**

Charging:

- Charger Input: AC 120 volts 60 Hz., 0.3A
- Charger Output: DC 4.9 V @ 1A
- Charger is supplied. DO NOT USE ANY OTHER CHARGER
- Recharge if stored for 2 months or longer



1. Light Source: 1 watt LED and 6 5 mm backup LEDs
2. Lamp and Clock Switch
3. Digital Display
4. Charger port
5. Hard hat attachment clip

## TECHNICAL SPECIFICATIONS

Rated Capability	4.5 Ah (lithium ion battery)
Rated voltage	3.7 volts
Continuous Discharge Time	≥ 15 hours
Main Light LED Voltage	3.2 volts
Main Light LED Current	0.35A
Main Light LED Power	1 watt
Main Light Luminous Flux	≥ 90Lm
Lamp Lighting (distance 1 meter)	≥ 3000 Lux (initially)
	≥ 2000 Lux (after 12 hours)
Main Light Usage Life	≥ 30000 hours
Backup Light Usage Life	≥ 100000 hours
Weight	≤ 215 grams
Short Circuit Protection Time	≤ 15ms
Typical Battery Lifetime	1000 cycles (normal conditions)
Recharge Time	≤ 8 hours
Charger Output	4.9v @ 1A

